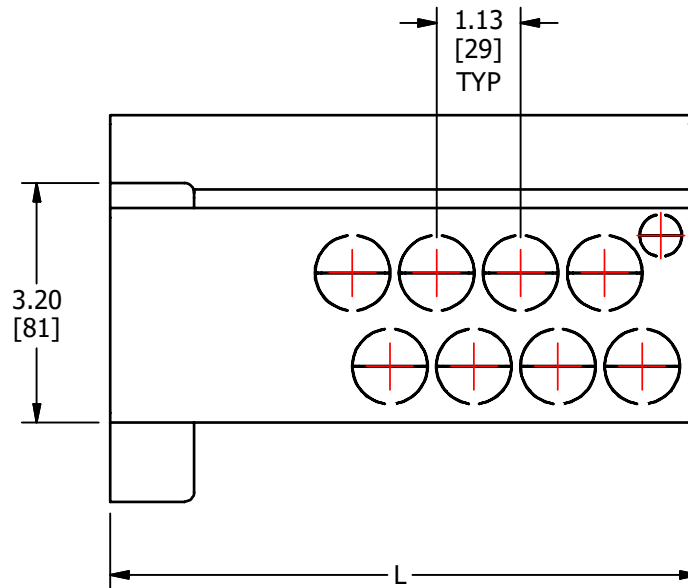
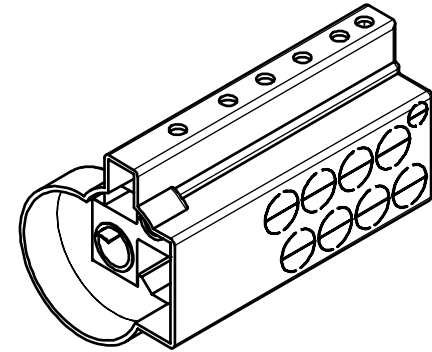
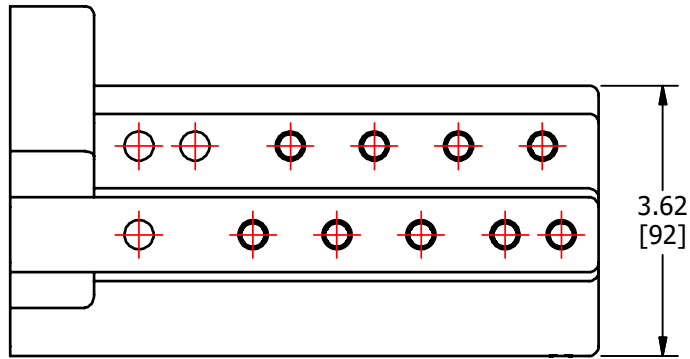
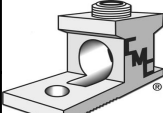


S.NO	CATALOG NUMBER	L
1	ZSU6-500SLCI	6.87 [174]
2	ZSU8-500SLCI	7.87 [200]



MATERIAL:
CONNECTOR: ALUMINUM
COVER: PLASTISOL

CONDUCTOR RANGE: 500 KCMIL -10
(AL-CU)

					TO ORDER CMC PRODUCTS	DRAWN BY: TS 12-11-19	NAME OF PART: STUD-MOUNT TRANSFORMER CONNECTOR	CAT. NO.: SEE TABLE
					UNITED STATES 1-513-860-4455	CHECKED BY:	DWG NO: C58700636CI-S (CHARTED)	A
					CANADA 1-800-361-6975	DRAWING NOT TO SCALE		SHEET NO: 1 OF 1
					MEXICO 011-52-722-265-4400			
A	NEW DRAWING CREATED		12-11-19	TS	FOR PRODUCT INFO www.cmcugs.com			
REV.	DESCRIPTION	ECN	DATE	INIT.				

THIS INFORMATION IS PROPRIETARY TO CONNECTOR MFG. CO. AND IS NOT TO BE DISCLOSED OUTSIDE OF CONNECTOR MFG. CO. WITHOUT A CONFIDENTIALITY AGREEMENT



CONNECTOR MANUFACTURING CO.

HAMILTON, OHIO